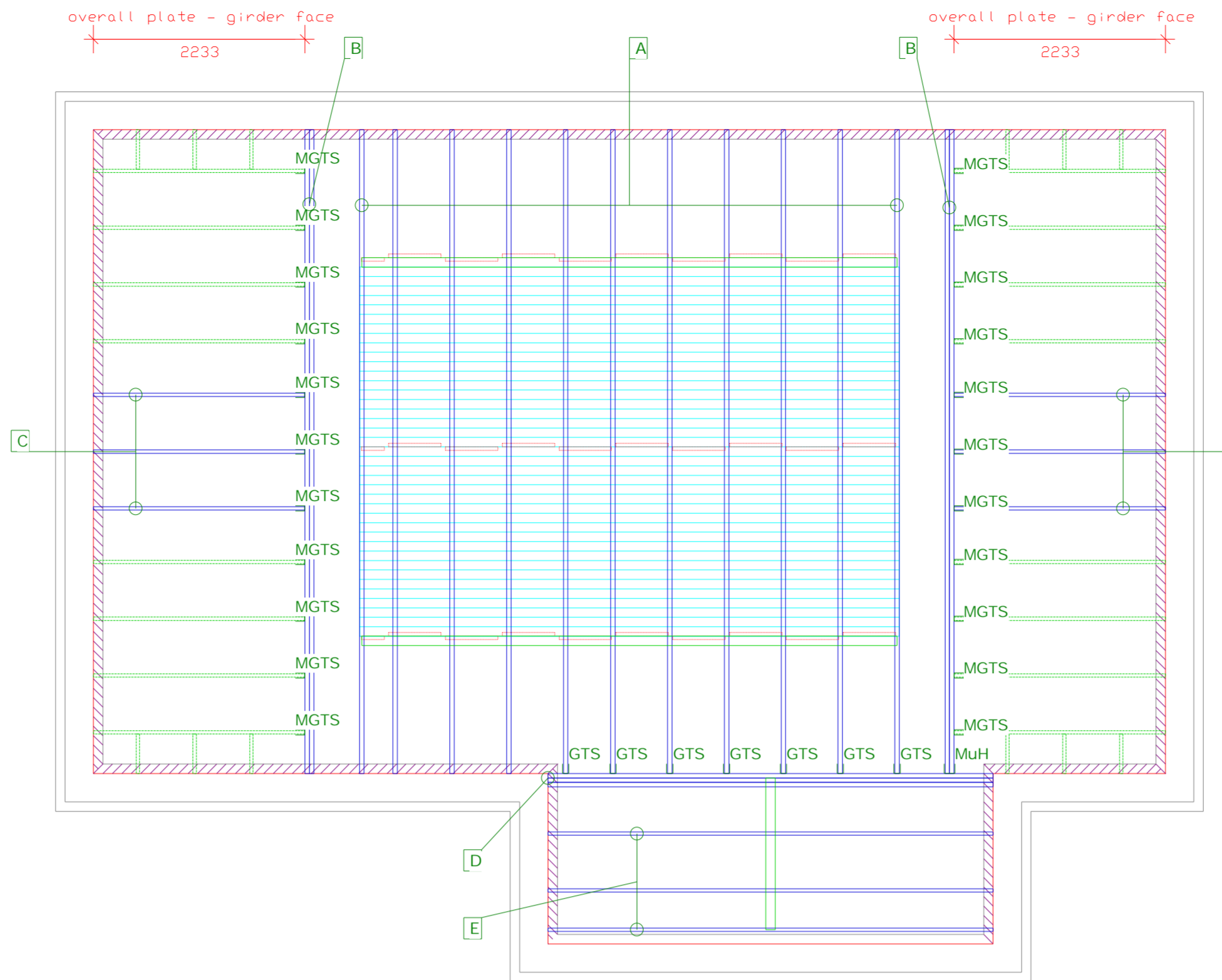


TRUSS PLAN AT RAFTER LEVEL



TRUSS PLAN AT CEILING LEVEL

BRACING LENGTHS

RAFTER	80 metres
CEILING TIE	16 metres
WEB	3 metres
TOTAL	99 metres

Bracing Colours

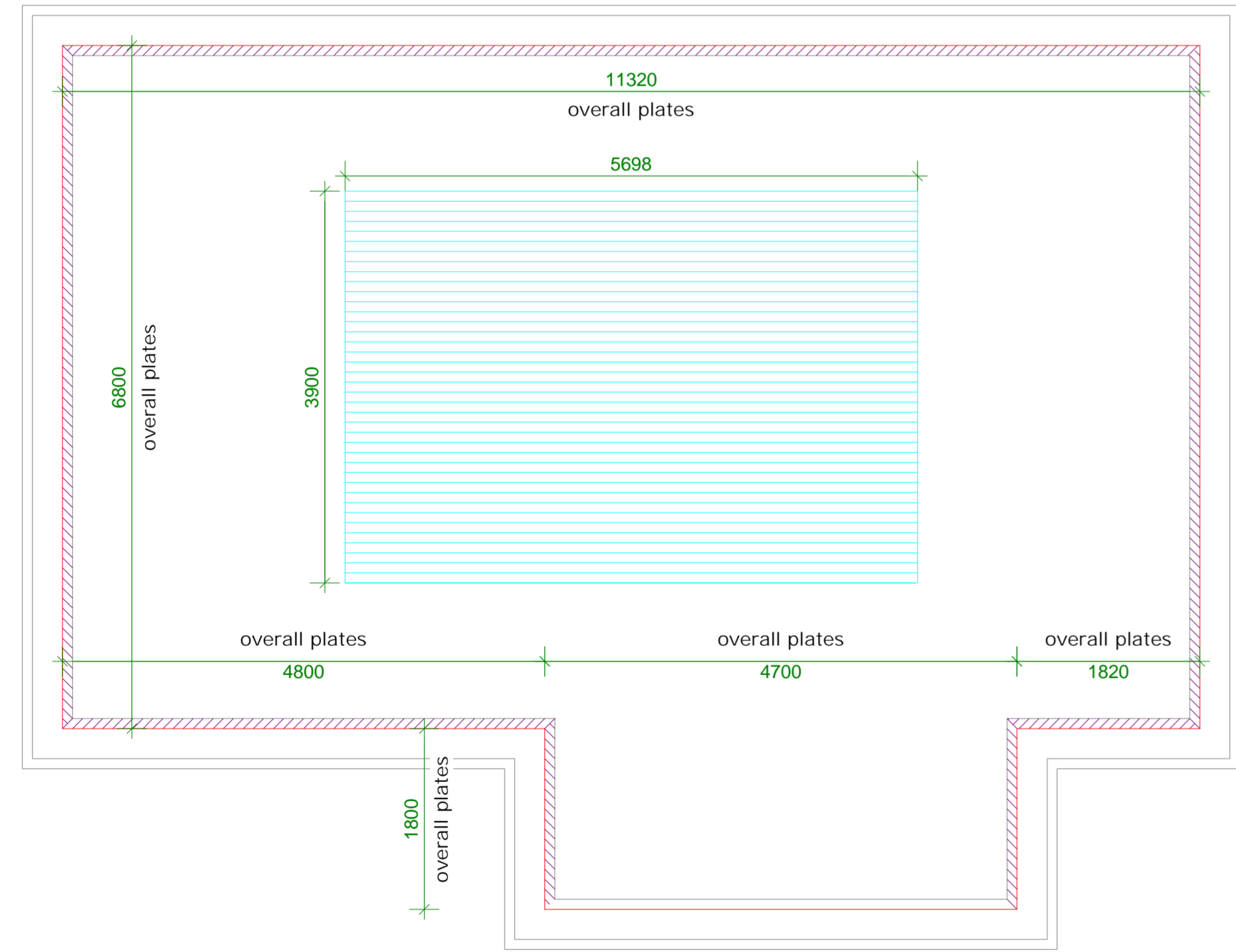
Rafter Bracing	—
C/Tie Bracing	—
Web Bracing	—
Attic Floor Blocking	—
Attic Ply Bracing	—

- TCP38 18 OFF 38mm Pye Truss Clip. (TCP38)
Cx6 Ex6 Cx6
- TCP50 15 OFF 50mm Pye Truss Clip. (TCP50)
Ax15
- MGTS 22 OFF 38mm Mini GTS. (MGTS38)
Cx6
- GTS 7 OFF 50mm Woody GTS. (GTS50)
Ax7
- MuH 1 OFF HWT (Nailed) (100).
Bx1

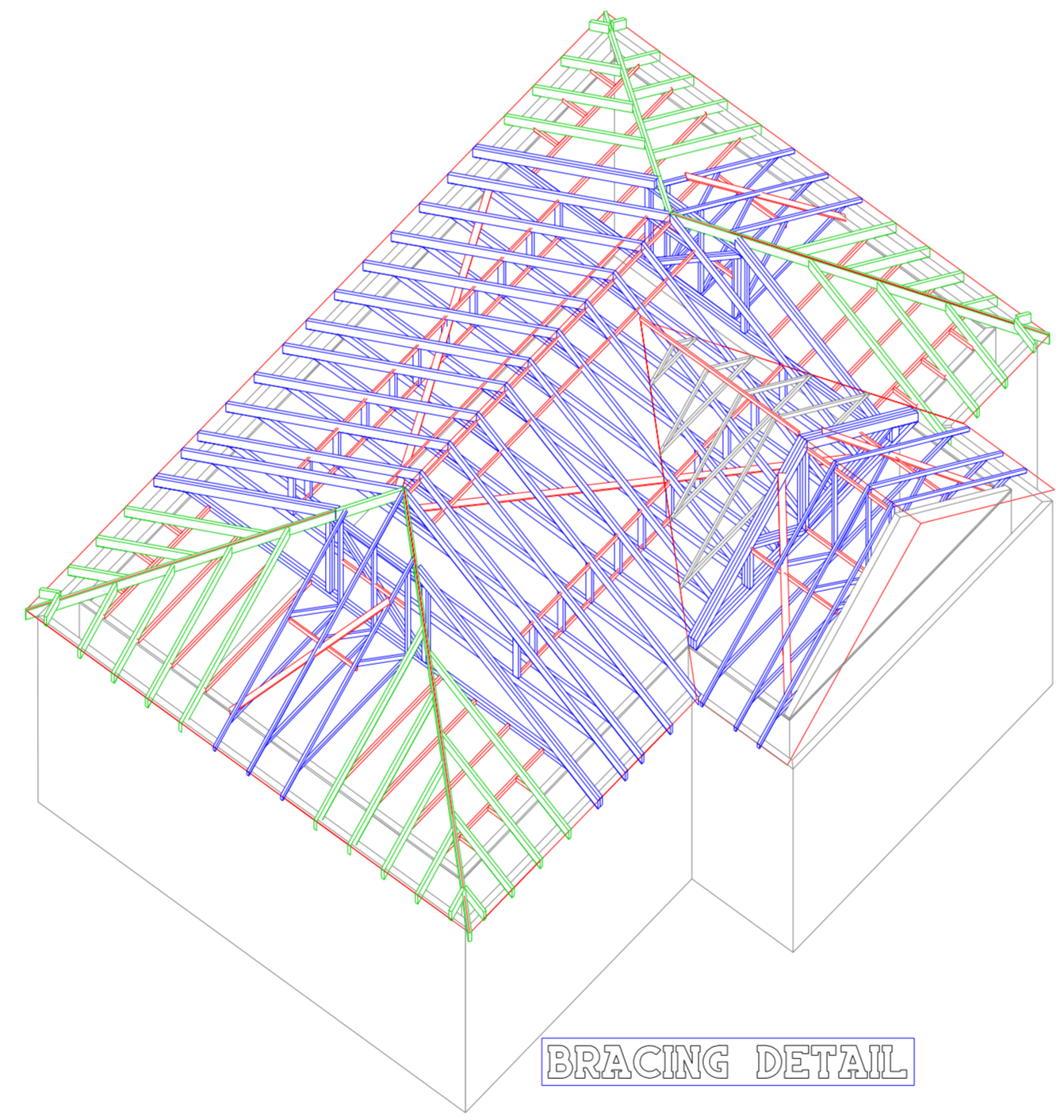
NOTES
=====

- For additional information please refer to TRA Technical Handbook & Architects & Engineers drawings.
1. Align trusses of the same type with the rafter symmetry mark towards one wall.
2. WIND BRACING.
This information is supplied in good faith but without liability. It is the Building Designers responsibility to ensure the stability of the overall structure.
Set out bracing as shown on drawings. Braces to be minimum size of 22x97 mm. Fix bracing to every truss including wall plate with not less than two 3.35x65 mm galvanised round wire nails. Any lap joints must be side by side nailed to at least two trusses.
WIND SPEED LIMITS FOR STANDARD BRACING
In accordance with BS5268 part3 App. A
Wall plate HT. Max Wind Speed.

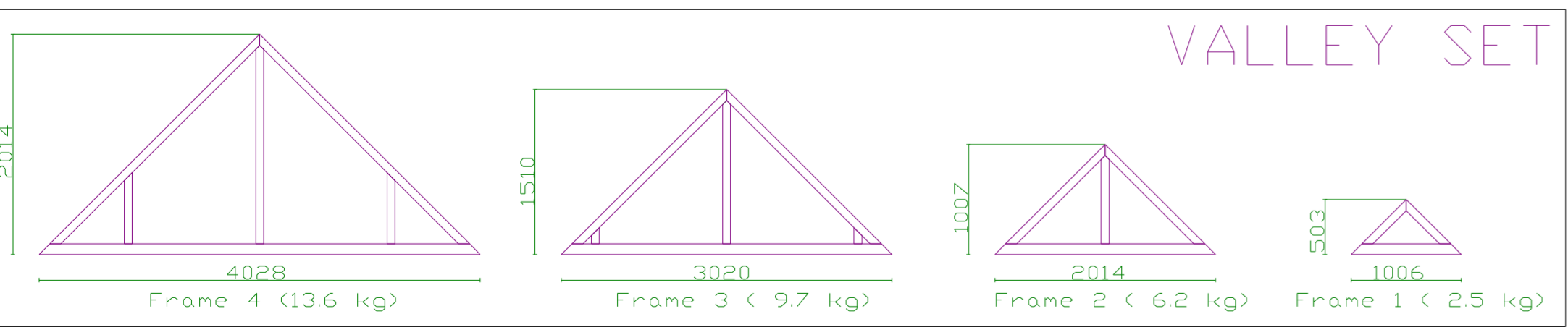
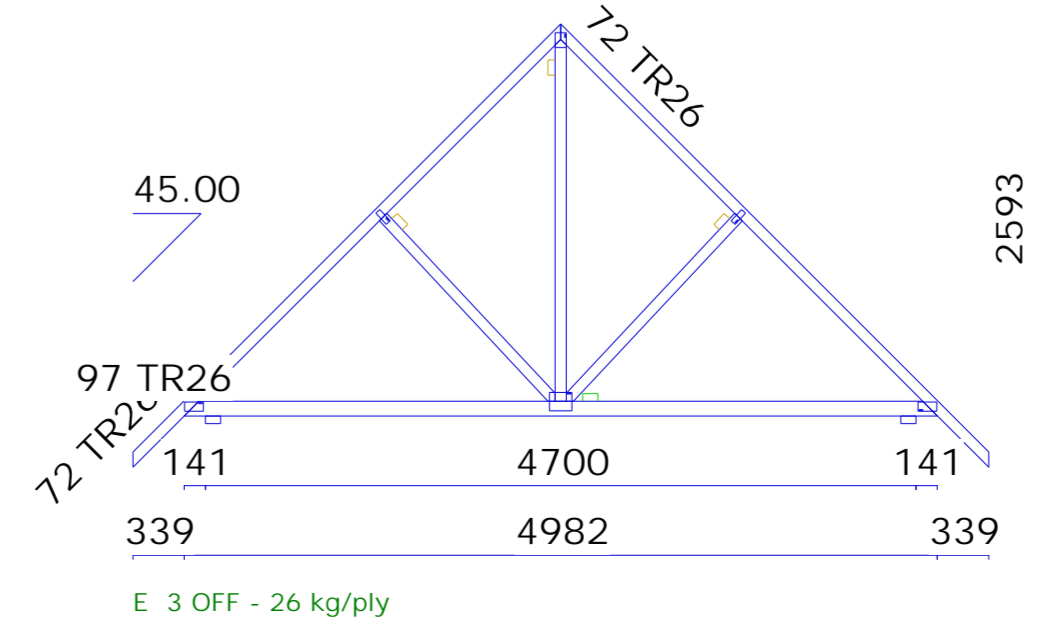
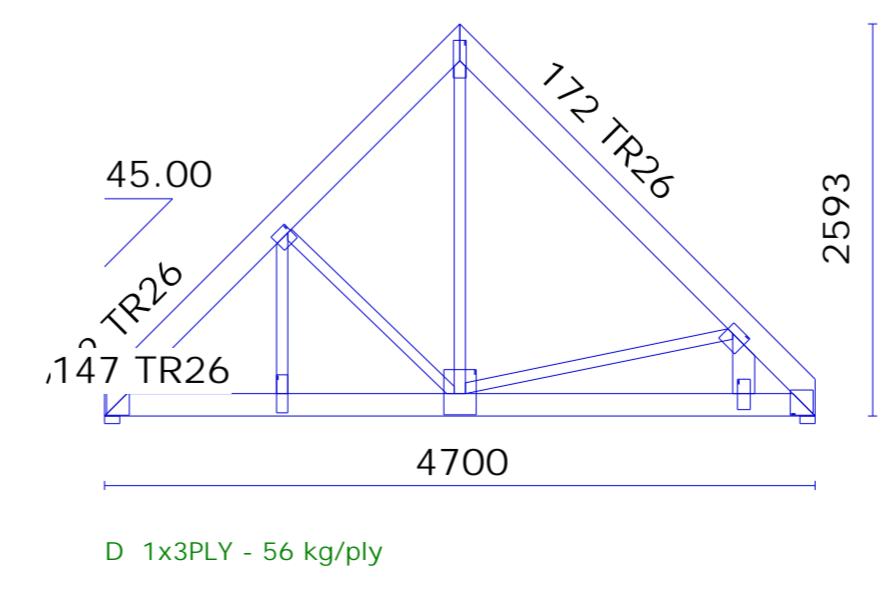
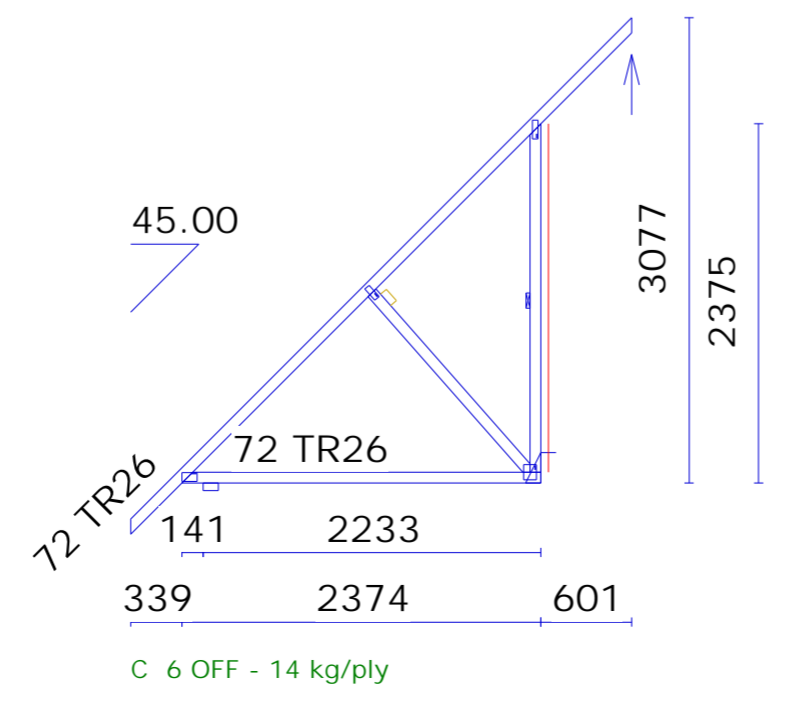
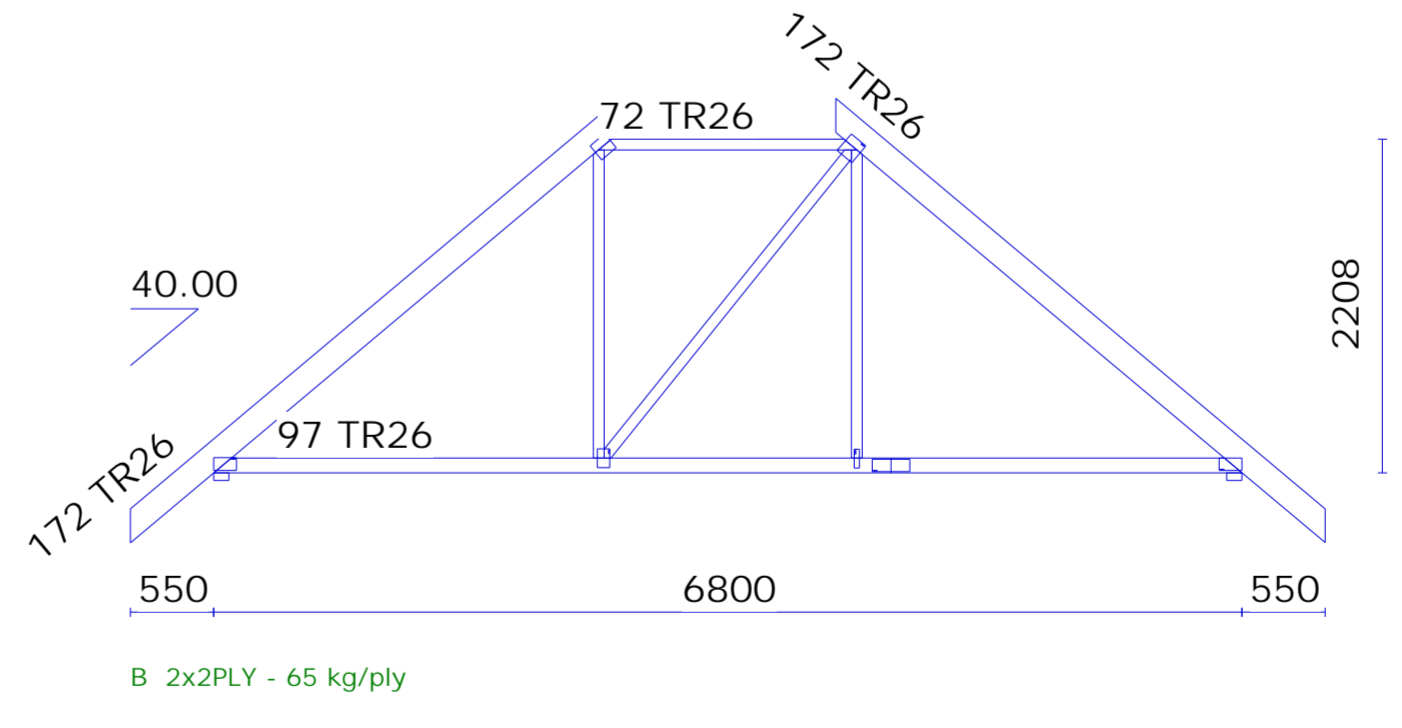
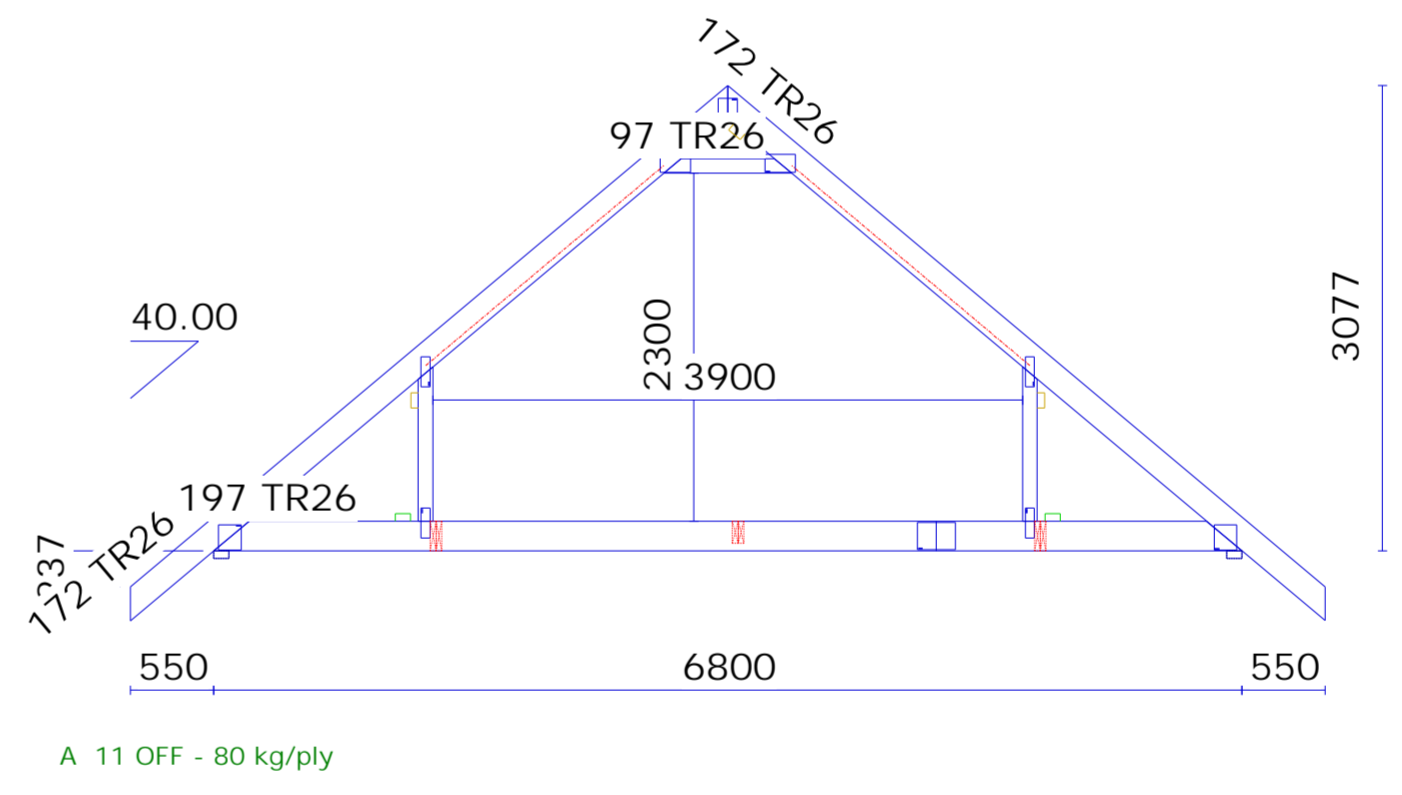
< 3.0m	56 metres/sec
< 5.7m	56 metres/sec
< 8.4m	52 metres/sec
3. MULTIPLE TRUSSES.
Multiple trusses, unless agreed otherwise, will be supplied to site as single trusses & MUST be fixed together. Ceiling ties MUST be bolted & rafters & webs nailed or bolted according to the detail sheet provided.
4. FIXING OF TRUSSES.
a) Fix all single trusses to the wall plate with truss clips fixed with 32 x 3.75 mm galvanised square twisted nails.
b) Where proprietary fixings are not used the minimum fixing at each bearing is two 4.5x100 mm long galvanised round wire nails skew nailed from each side of the truss into the wall plate. Where nailing through the punched metal plate cannot be avoided nails should be driven through a slot in the connector.
c) Mini & Girder truss shoes (MTS & GTS) are to be nailed flush with the underside of the girder truss with 30mm long 3.75mm diameter galvanised or sheradized round wire nails.
d) Heavy duty hangers (HWT & GG) are to be bolted flush with the underside of the girder truss according to the details provided.
5. GABLE WALL STRAPS.
Fix straps at not more than 2.0m centres at rafter and ceiling tie level as shown on drawings. Fix straps to at least 3 No trusses and noggins with 3.35x50 mm long galvanised round wire nails.
6. FITTING OF SERVICES
In NO circumstances cut holes or notches into truss ceiling joist to accommodate services such as water pipes or cables.
7. WARNING.
IF ANY OF THE DETAILS SHOWN ARE NOT CLEAR THEN PLEASE CONTACT TRUSSTEC LIMITED FOR CLARIFICATION.
DO NOT ALTER ANY TRUSSES WITHOUT THE PRIOR APPROVAL OF TRUSSTEC LIMITED.



WALL/ATTIC PLAN



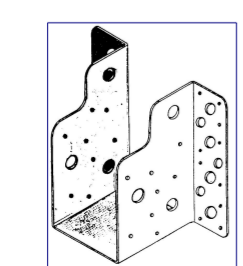
BRACING DETAIL



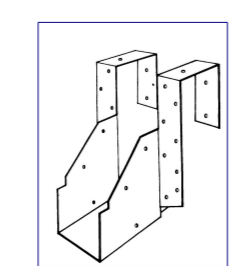
VALLEY SET



DETAIL 1
Isometric drawing of truss clip fixing.



DETAIL 1
Isometric drawing of HWT joist hanger.



DETAIL 2
Isometric drawing of girder truss shoe (GTS) fixing of trusses to multiple girder truss.

TRUSSTEC LTD, Arrowhead Rd, Theale, Reading, BERKS. RG7 4AD. Tel. 0118 9305009

SITE : 7a South Drive Sonning, BERKS.

LOADS: Tiles=875 Snow=750 N/m2

SPACING : 600mm

Drawn : AdamH

Checked :

DATE : 29-1-2009

PROJECT : Stoneperry Builders

DRG NO : 14646 / 33416